

# Complete Shower Room Installation Guide and Operation Manual



Model 9016

## **IMPORTANT PLEASE READ BEFORE STARTING ASSEMBLY**

**ALL STEAM SHOWERS REQUIRE TWO PEOPLE TO ASSEMBLE THEM  
IF YOU ARE NOT AT ALL THE DIY TYPE OF PERSON PLEASE  
DO NOT ATTEMPT ASSEMBLY**

**WARNING THIS SHOWER IS FREE STANDING PLEASE DO NOT ATTACH TO ANY WALLS**

MAKE SURE IT IS FITTED WITH FLEXIBLE WATER HOSES AT LEAST 100CM LONG AND FLEXIBLE WASTE. THESE ITEMS ARE REQUIRED TO EFFECT COMPLETE CHECKS AFTER ASSEMBLY FOR ANY INSUFFICIENT SEALING.

REMEMBER DURING BUILD, LIKE ALL SHOWERS CORRECT SEALING IS IMPERATIVE.

ALWAYS FIT "EASY TO GET TO TAP VALVES" ON BOTH HOT AND COLD WATER. THE SAME AS A DISHWASHER OR WASHING MACHINE THIS PRODUCT SHOULD BE ISOLATED WHEN NOT IN USE

REMEMBER IF YOU FEEL ASSEMBLY OF THIS ITEM IS A LITTLE MORE DIFFICULT THAN FIRST THOUGHT WE SUPPLY YOU WITH APPROVED ASSEMBLERS DETAILS WHO CAN UNDERTAKE THIS. PLEASE CHECK OUT OUR WEBSITE HOME PAGE.

Dear Customer

Thank you for your recent purchase of our corner shower unit. To ensure safety please carefully read these instructions before installing the shower. These showers are designed to be free standing and movable from their location should you have need to replace anything. ALWAYS USE Flexible braided water inlet pipes at least a metre long ( not central heating plastic type! ) from house supply to the shower and again flexible waste pipe to join to your house waste. NEVER fix with rigid pipes, never fix the unit to the wall.

NOTE: From time to time these showers may have small differences from that of these instructions. Due to continuous improvements and upgrades, this should not cause you any inconvenience just sometimes extra commonsense needs applying.

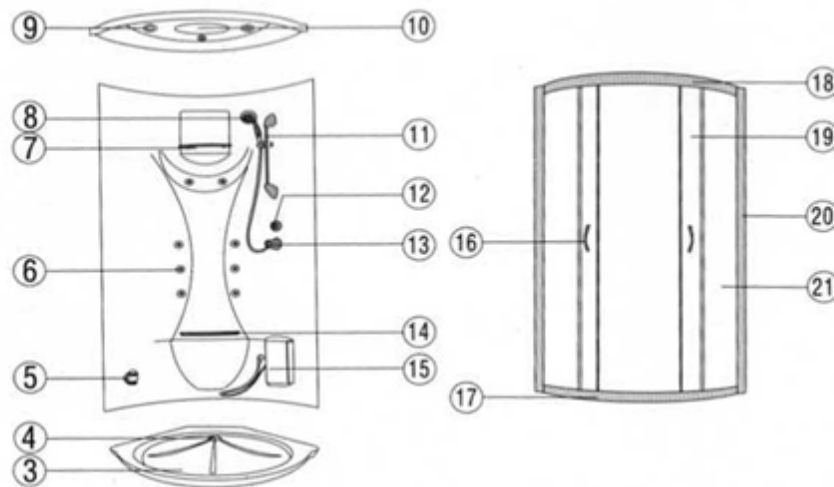
**These showers must be installed by a part "P" registered electrician and fully qualified plumber.**

### ELECTRICAL REQUIREMENTS

Voltage Rating	Frequency Rating	Power Rating	Current Rating	Circuit Voltage
AC 220V	50HZ	3.0W	0.17A	12V

# SHOWER ROOM

Model:9016



- 3.tub
- 4.drain
- 5.steam outlet
- 6.back massage
- 7.towel holder
- 8.handle shower
- 9.top light
- 10.top shower
- 11.sliding bar
- 12.position switch
- 13.hot/cold switch
- 14.seat
- 15.foot massage
- 16.handle
- 17.down rail
- 18.up rail
- 19.movable door
- 20.side aluminum frame
- 21.fixed door

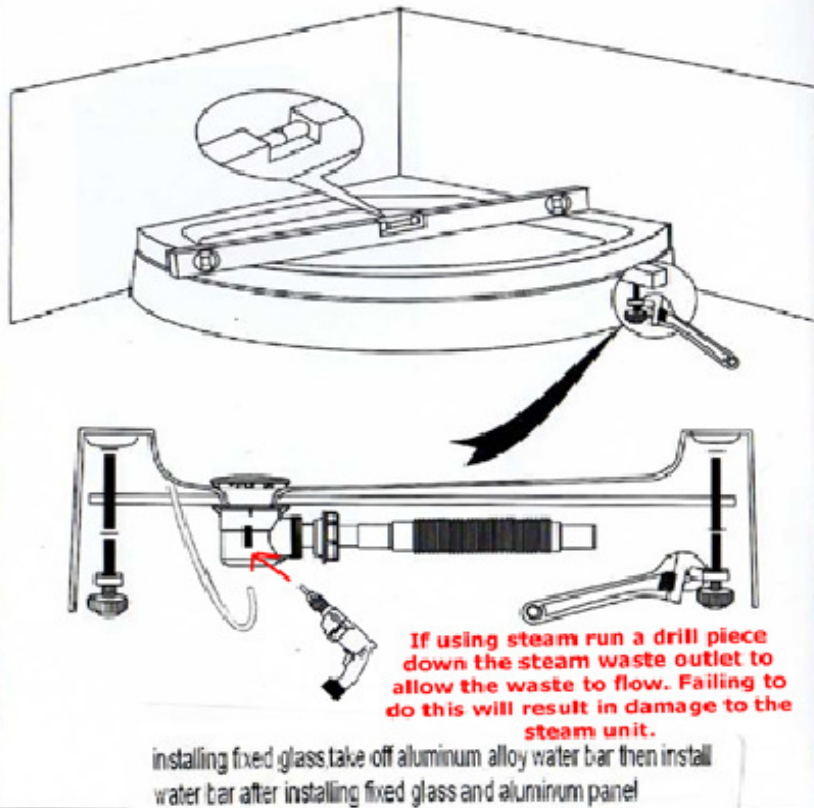
# Model:9016

# SHOWER ROOM

## 4. Installation Procedure

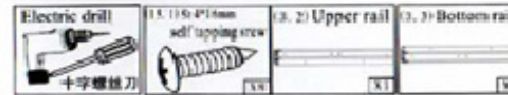


1.) Put track level bar on the tub, and adjust foot's screw by adjustable spanner, and keep it to the leveling

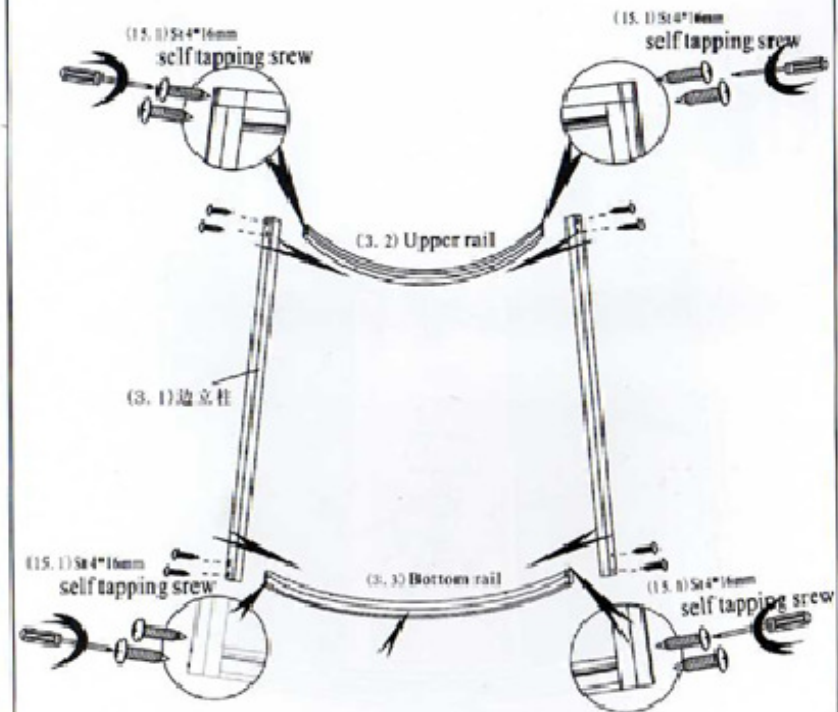


(6)

## 4. Installation Procedure



2.) Build up the frame. Make sure the rails and upright aluminums are suitable. And find the difference between up rail and down rail.

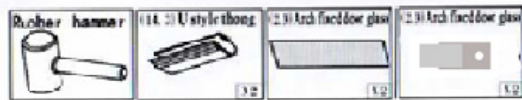


(7)

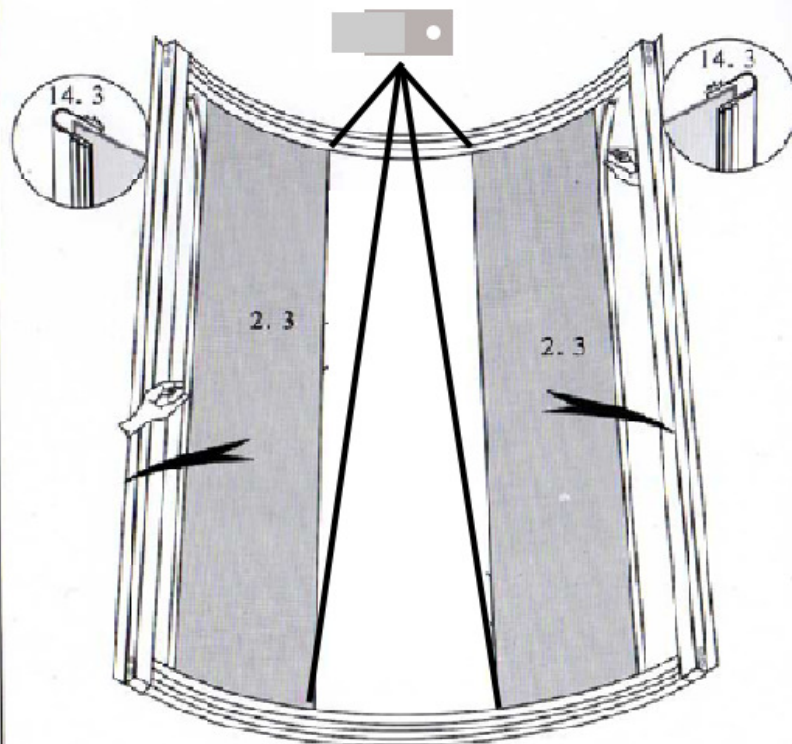
Model:9016

# SHOWER ROOM

## 4, Installation Procedure

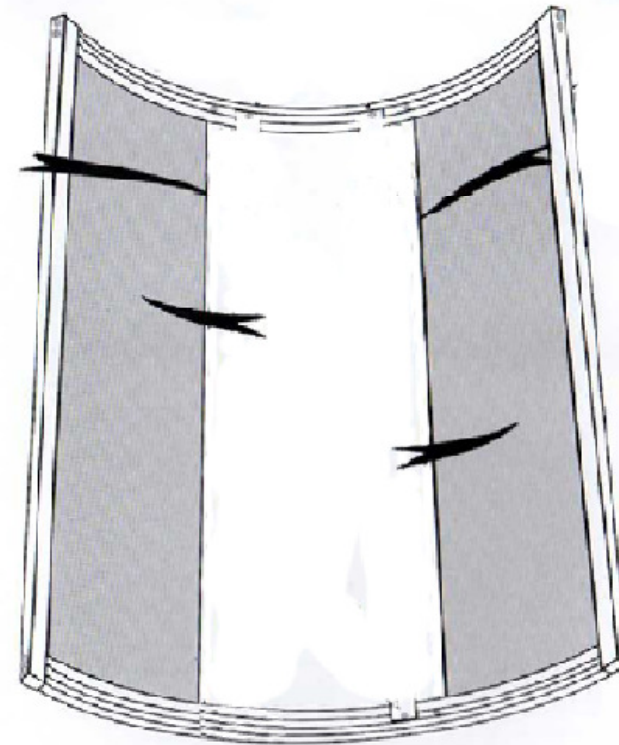


4 x glass clips (secure with small self tapping screws)



(8)

## 4, Installation Procedure

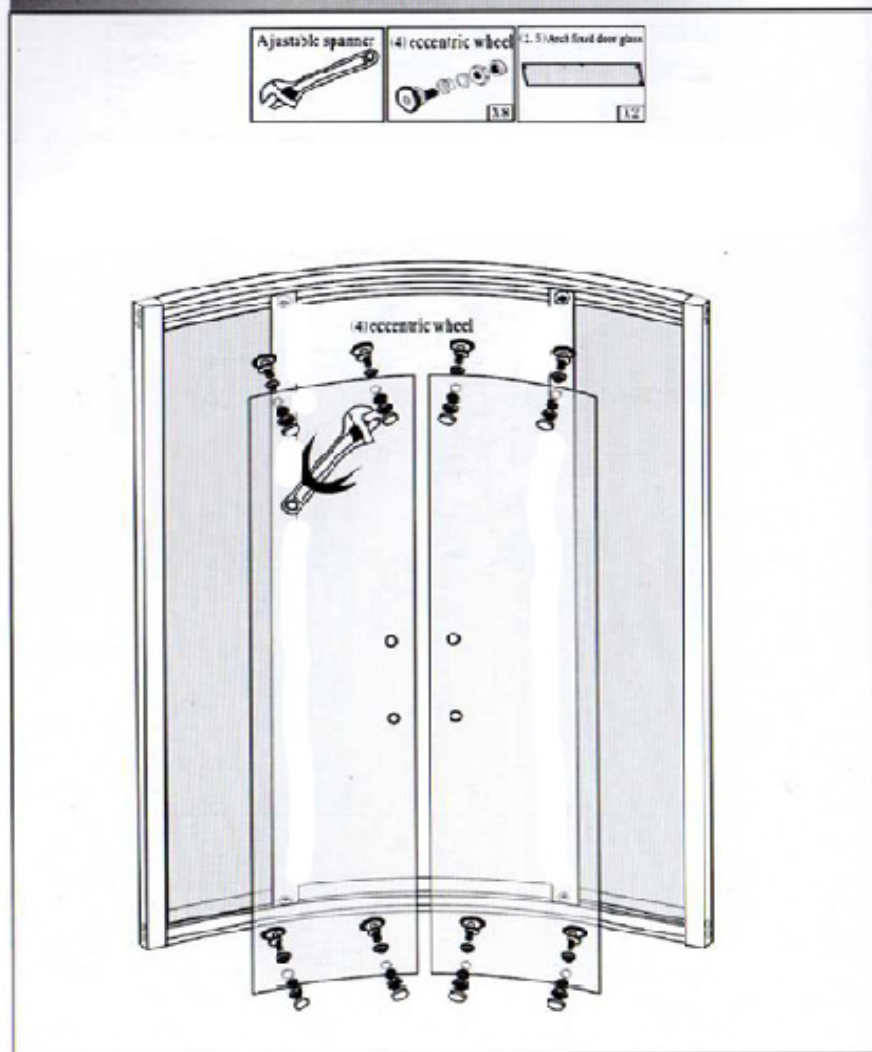


(9)

Model:9016

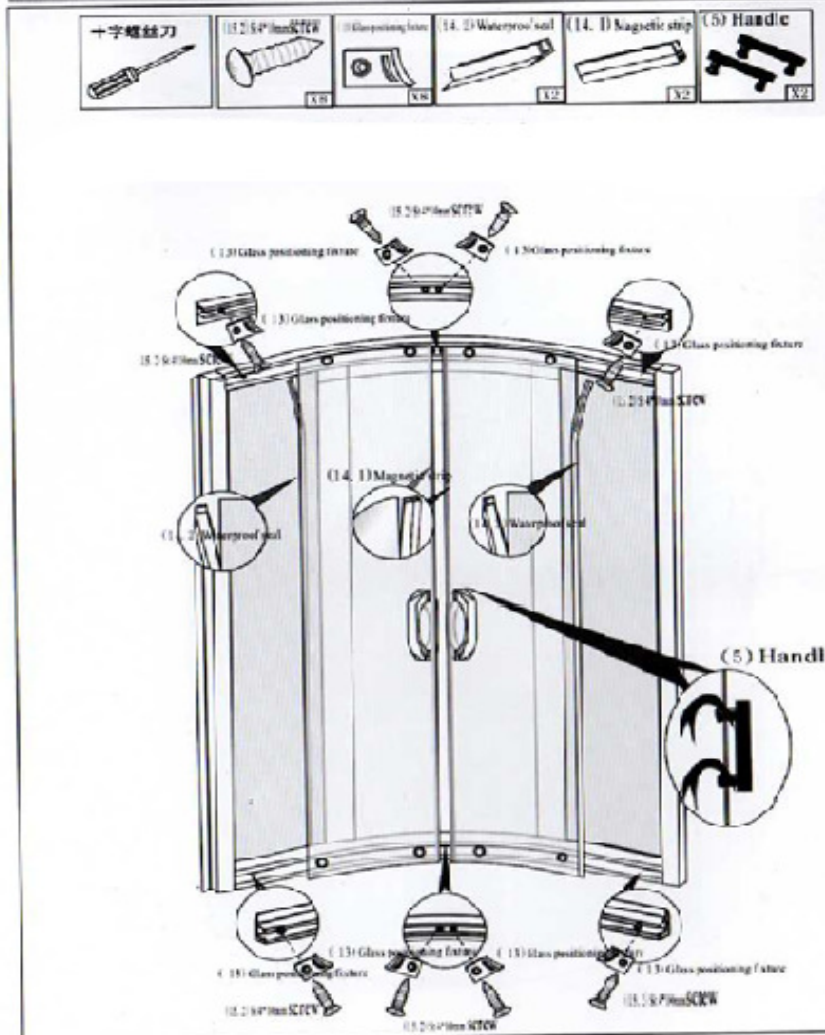
# SHOWER ROOM

## 4. Installation Procedure



(10)

## 4. Installation Procedure



(11)

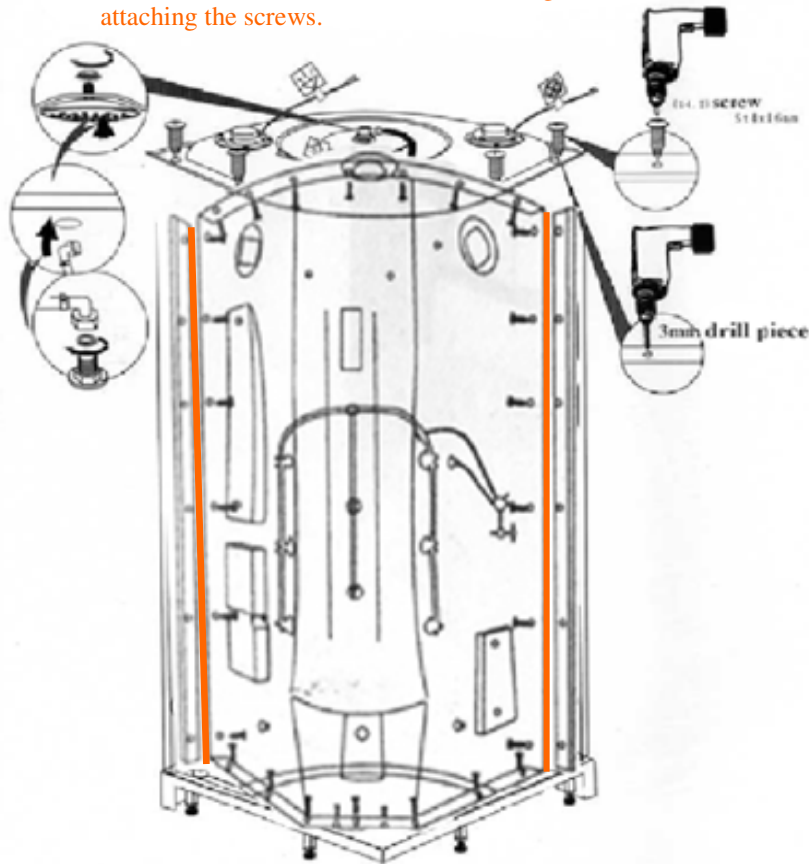
Model:9016

# SHOWER ROOM

## 4. Installation Procedure

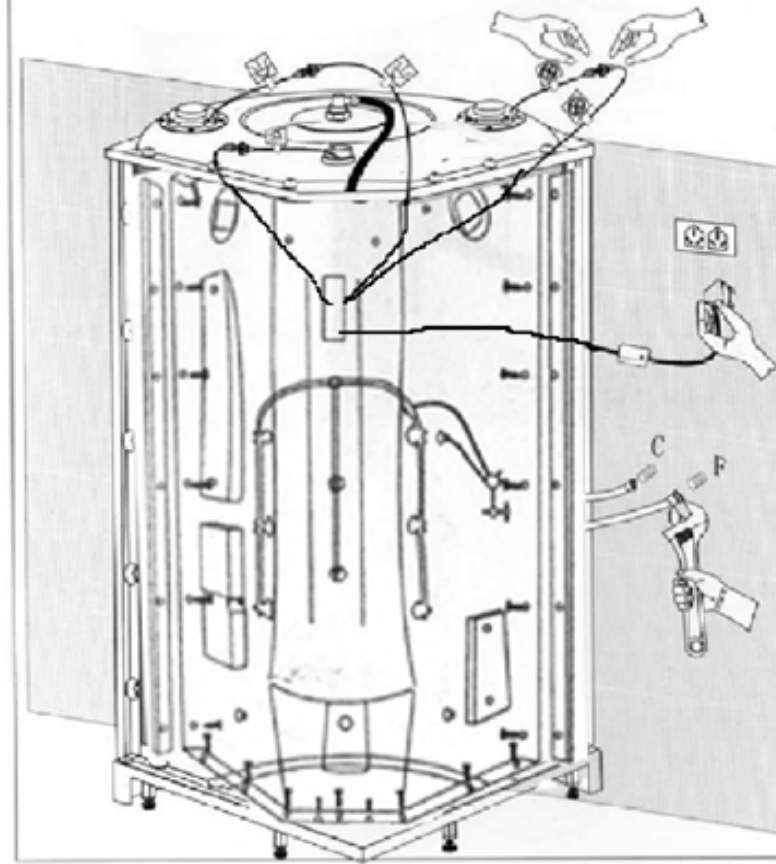


Silicone between the back wall and front glass before attaching the screws.



(16)

## 4. Installation Procedure



(17)

## YOUR MOMENT OF TRUTH!

LEAVING SHOWER 24 HOURS HAVE YOU BUILT THIS CORRECTLY? FIND OUT NOW.

With all connections tight, hoses checked, jets fully sealed, your shower still around 18 inches from its designated corner and the silicone sealer fully cured (hence leaving for 24 hours at min) Switch on the overhead shower NOT massage jets remember these will fire water out at you and are not suitable for checking leaks as they would normally only operate when a person is fully in front of them. Just use COLD water setting as hot will make cabin misty and condensate thus the inspection becomes very difficult. Now on the OUTSIDE inspect each joint, hose, clip, jet, from one side going round to the back and then other side finishing at the front. If you have a small leak (normally caused through insufficient sealer or air bubble on assemble. Dry area thoroughly and reseal on the OUTSIDE. Again remember where you see water may not be exactly where the leak is, it could have run round to a low point. Never seal anything inside unless you feel it necessary and make sure it is thin and neat, remember you will see this for the life of your shower! Leave to cure again and check. If all good now check shower functions, Jets for back massage, foot massage, (if you have one) and finally hand shower, check your joints to these functions at the rear again. All good now push your shower FROM THE BASE NEVER GLASS OR FRAME into its final resting position. Now you can shower in the knowledge that you have no leaks a job done well a long product life.

Happy showering.

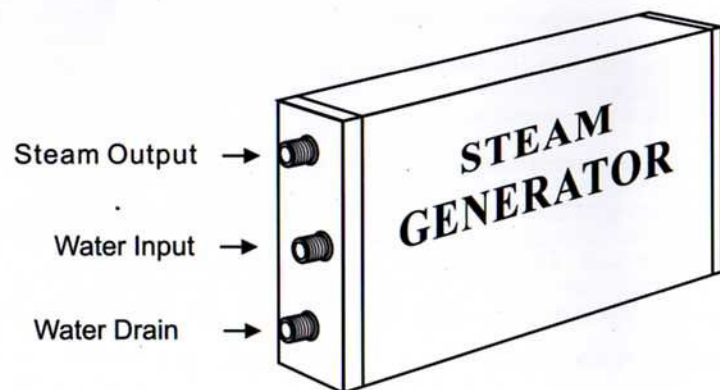
**Message to tradesmen:** Should you require any help or advice please call 0844 800 3069 10.00am –4.00pm. We further point out that providing this product has been built correctly and the instructions followed with particular attention to the final paragraph, the client should have been left with a 100% trouble free product. We have on occasion heard of less scrupulous tradesmen making return visits at the customers request because of various faults and charging effectively for corrections to work that should never had been required. We would expect no further charges should be made for call backs unless alien to original work carried out.

## 5 Electric appliance instruction

### ELECTRICAL SPECIFICATIONS :

<b>Supply Power</b>	<b>Alternating current 220V-240V</b>
<b>Power Frequency</b>	<b>50Hz/60Hz</b>
<b>Control Voltage</b>	<b>Direct current 12V</b>
<b>Limit Power</b>	<b>3KW</b>
<b>Light Voltage</b>	<b>Alternating Current 12V</b>
<b>Fan Voltage</b>	<b>Direct current 12V</b>
<b>Radio Output Power</b>	<b>5W</b>

### WATER SUPPLY INSTALL:



(22)

## 6: Notes

1. It is unadvisable to take a shower after drunk.
2. It is unadvisable to have a shower immediately after acute sports.
3. Please avoid bath or shower in morning.
4. Keep the temperature of dressing room near to the bathroom'S
5. If you feel discomfortable while having a shower, you should go out of the shower room as soon as possible.
6. The time of shower is advisable to be between 15 minutes and 20 minutes, no longer.
7. Drink water to supplement moisture after shower or bathing.
8. People who suffer from heart disease, high blood pressure, diabetes or who feel unwell or pregnant woman are unadvisable to have bathing, massage or shower.

## 7: Delivery and storage notice

1. It is prohibited to store organic solvent together, such as formic acid and methanol.
2. Handle with care if it need transport. Heavy stress, mechanical impact and sharp pounding is prohibited.
3. It should keep it dry and airy and make sure there is no etchant gas.

(23)

# Operation Manual

- 1) Turn water valve on for steam operation
  - 2) Turn power button on
  - 3) Led display will now light
  - 4) The window will display your current temperature setting.
  - 5) For temperature setting to your desired level push the TEMPERATURE key it will now flash
  - 6) Push key after 3 seconds and the temp will increase up to 60 degrees stop at desired level.
  - 7) Once stopped the display will flash for three seconds and then set this into the computer's memory for next time.
  - 8) Your steam generator will now produce steam up to the temperature you have set. After this it will cut in and out automatically.
- Please note default temp = 45 degrees C  
Temp detector sensor is based on room temperature not the steam cabin temperature (If Fitted)

## **USING THE TIMER CLOCK FACILITY (IF FITTED)**

Push "Clock" key to set timer

Each application of pressure is equal to two minutes

60 maximum for longer re-apply when you have used 60 minutes.

Please note you can return to "0" at any time.

Now push STEAM key and the steam display box will illuminate

Steam you be generated in approx.1-3 minutes.

NOTE: Always be certain your generator has water pressure to it. If the generator is void of water the steam display will flash and continue to do so until it is replenished.

In a situation like this just push the "STEAM" key again to stop.

## **EXTRACTOR FAN**

Push "FAN" SYMBOL on display panel to start. Push again to stop

## **OZONIZER**

(If fitted) Push the "SMILEY FACE" Or "O3" button and run for around 5-10 minutes. This will cleanse the cabin free of bacteria for the next user. This feature when in operation will make a buzzing noise, but has to manually be turned off.

**LIGHTING**

Push "BULB" symbol once for top lights, twice for side mood lighting, three times for top and mood lighting finally once more for "OFF" position.

**RADIO**

Push "RADIO" key, display illuminates frequency etc. push again to turn off.

**To Tune.**

With radio on push "UP" or "Down" shift key for frequency movement.

**CD Operation**

For CD operation (if you have connected one) push "RADIO" key again CD display will light push again and the CD turns off.

**TELEPHONE.**

When you have a caller the telephone buzzer alarm will function. Push "TELEPHONE" Key. The display will now illuminate with telephone and will cut into the radio or CD automatically. Finishing your call push "TELEPHONE" key again and your previous settings should return to normal.

**Volume Settings.**

Push "VOLUME" keys for up or down. Hold either for three seconds to obtain manual control.

**FINALLY.**

To Power down. Push the "POWER" symbol to turn off the steam generator. The Display screen will now count down for 60 seconds. The steam generator will automatically drain itself, and all functions will be turned off.

# Tips, help and advice.

## PLUMB YOUR SHOWER AS A DISHWASHER OR WASHING MACHINE, TAPS TO TURN OFF WATER SUPPLY

### **What am I covered for?**

We cover you for all parts for a period of 6-12-24 months according to the level of warranty supplied. This is parts only. Any part that fails we will replace from stock. If not in stock, by order, this however does involve a waiting period. Good news is should you require something, 95% of parts are stock items.

### **How do I get parts?**

Because we operate across Europe you will need to contact our claims department via E-mail only as they are based in France. Please go to [www.bath-depot.co.uk](http://www.bath-depot.co.uk), click customer services and the claim form will be in front of you. Please DO NOT call our UK warehouse as they cannot help you.

### **What if anything electrical goes wrong?**

The electrical system of these steam showers is simple, just three key parts, Steam Generator, transformer box and supply and the control panel inside the shower. Supply your copy of the electrical installation invoice you were given when electricians were installed (cannot help you without this so keep it safe!) tell us what part you need on the claim form and it will be sent by post to you.

### **What if I have a plumbing fault?**

Locate the problem, fill out the claim form attach a picture of the part you need and we will send it. Again steam showers are simple in design. Any problem you have should be readily identified. Again a copy of your plumber's invoice will be required.

### **My plumber cannot get my shower to work!**

We have already stated a plumber should be engaged if you had any doubt at all about the shower build. If you built this shower yourself then we expect you to have the same working knowledge as they would. So on this basis and our employees are not allowed to enter into diagnostics, it should be quite simple.

### **No water pressure.**

Have you got water going to the shower? No- you have a house fault... Yes then----

Does your pump come on if fitted to your water supply? No your pump is at fault ---- Yes then---

Got just hot or cold water but not both supplying the shower? Replace thermostatic valve if you have one fitted by filling in claim form. If still no water go back to previous steps

### **Steam problem**

Steam just spits out of steam outlet or scolding water comes out instead. STOP.. Your steam generator unit is fitted incorrectly. Please go back to instructions to ascertain the correct position!

### **My rear column has started to warp.**

Make sure the outlet of the steam is open, failure to do this will result in damaging the column which is not covered under warranty.

### **My thermostat is not mixing the water correctly**

This could be either an in-balance of the water or the thermostat needs resetting. First check the thermostat is set up correctly. This will only take around 5 minutes and for information on how to check it visit [www.bath-depot.co.uk](http://www.bath-depot.co.uk) and click on customer services tab. You will see the link “resetting your thermostat valve” click here and this will walk you through the steps. Secondly check you have a “EPV” Equalising Pressure Valve fitted which means you have the same water flow going into the unit. If never help contact us to arrange for a replacement unit.

### **My shower cabin leaks water when I shower**

If everything has been sealed and every step followed correctly, it will not leak. If you have this problem it is the fault of the assembler. This problem is **NOT covered by ourselves** and your installer should be contacted.

### **My shower leaks from somewhere at the rear of it.**

Pull your steam shower away from wall, check all connections were tightened properly at assembly, check hoses, metal direction control body, thermostatic valve, all joints to items such as hand shower, foot massage etc. It should now become obvious. If it is a part failure just fill in our claim form.

### **My shower leaks underneath it.**

Check your house waste to shower connections and all water feed pipes.

### **My lights, radio etc doesn't work.**

Check that the D-Pins are connected correctly at the rear of the cabin. Check that the individual components are connected correctly. If still no power please contact us to arrange for a new control panel to be sent.

### **Help I have broken something!**

Simple, contact us! Unlike nearly all suppliers of these steam showers we do carry a vast range of spares and this includes even the glass back walls etc!

We further point out that our staff are not trained or encouraged to help in diagnostics or assembly. Our instructions as laid out were written simply and explicitly in everyday language to enable a person of good DIY skills, a professional or an installer, to easily understand them. If you are stuck there is very little else we can add but we do have a telephone helpline available between 10.00am to 4.00pm Monday to Friday. Please be warned it is expensive at £1.50 per minute but all profits made from this service are passed onto our “Helping the world’s community project” for further details please go to:

[www.discount-bathroom-suites-uk.co.uk/charity\\_sri\\_lanka.asp](http://www.discount-bathroom-suites-uk.co.uk/charity_sri_lanka.asp).